

subito[®]

work seat

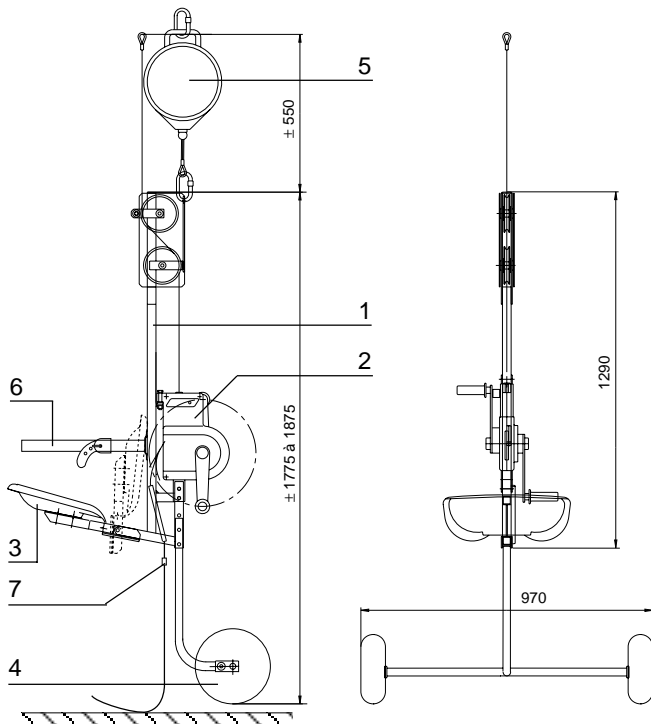


subito®

Hoist capacity: 120 kg
Weight: without stabiliser wheels 21 kg
with stabiliser wheels 27 kg

Dimensions:

with seat in position: 750x1290x440
with seat folded: 410x1290x440
overall height without stabiliser wheels and retractable lifeline: 1840 mm
overall height with stabiliser wheels and retractable lifeline: 2325 to 2425 mm maxi.



Compact, lightweight and stable, the SUBITO work seat is a fast and safe access method for many inspection, maintenance and cleaning jobs.

The SUBITO work seat conforms to CE standards. The steel frame (1) incorporates a folding seat (3) for compact storage. Two stabiliser wheels (4) (optional) run along the facade providing good stability of the seat and no spinning.

The SCAFOR (2) manual hoist has a single wire rope and together with the retractable lifeline (5) BLOCFOR provides a safe and reliable access system. Both handles are used for lifting whilst lowering only requires operation of one handle.

The lifting height is limited by the BLOCFOR fall arrest device to 30 m.

The length of the lifting wire rope must be appropriate for the suspension height.

A cable-clamp end stop is fitted to the free end of the wire rope preventing from running out of the rope (7).

The user is secured on the work seat by the belt (6) attached to the frame.

The system without its wheels does not have to be dismantled for transportation in an estate car.

The wheels may be easily removed by untightening 2 bolts.



Equipment in accordance with European Union Directives and manufactured under ISO 9001



P1209GB-4000-10/2001



TRACTEL S.A.S
 Saint-Hilaire-sous-Romilly
 F-10102 Romilly-sur-Seine Cedex
 Tel. +33 (0)3.25.21.07.00
 Fax +33 (0)3.25.21.07.11



<http://www.tractel.com>

SECALT S.A.
 3, rue du Fort Dumoulin
 B.P. 1113 • L-1011 Luxembourg
 Tel. (352) 43 42 42-1
 Fax (352) 43 42 42-200
 secalt@tractel.com